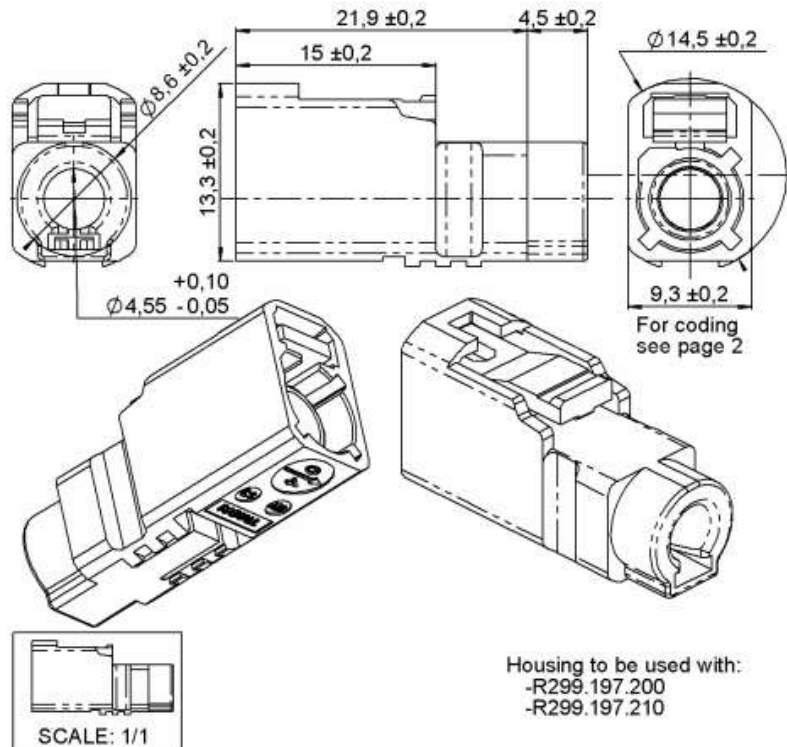


R3C FEMALE HOUSING

R197.115._80

Series : **SMB CARLOCK**

To obtain the complete P/N please fill in the blank "_" with the coding letter



Housing to be used with:
-R299.197.200
-R299.197.210

All dimensions are in mm.

COMPONENTS	MATERIALS	PLATING	
		UL CLASSIFICATION	COLOR
HOUSING	PA6.6 GF15 (POLYAMIDE)	UL 94 V-2	See Page2

PACKAGING

Standard	Other
4800	Contact us

MECHANICAL CHARACTERISTICS

Mating life **100** Cycles mini
Weight **1.6500** g

ENVIRONMENTAL

Operating temperature **-40/+110 °C**

Issue : 1125 A

In the effort to improve our products, we reserve the right to make changes judged to be necessary.

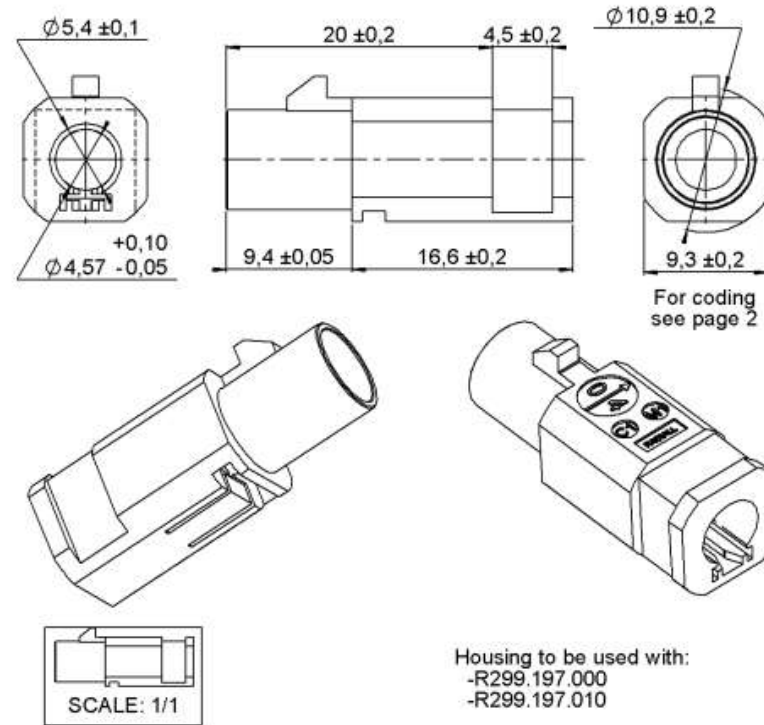


R3C MALE HOUSING

R197.135._80

Series : **SMB CARLOCK**

To obtain the complete P/N please fill in the blank "_" with the coding letter



Housing to be used with:
-R299.197.000
-R299.197.010

All dimensions are in mm.

COMPONENTS	MATERIALS	PLATING	
		UL CLASSIFICATION	COLOR
HOUSING	PA6.6 GF15 (POLYAMIDE)	UL 94 V-2	See Page2

PACKAGING

Standard	Other
6000	Contact us

MECHANICAL CHARACTERISTICS

Mating life **100** Cycles mini
Weight **1.6500** g

ENVIRONMENTAL

Operating temperature **-40/+110 °C**

Issue : 1125 A

In the effort to improve our products, we reserve the right to make changes judged to be necessary.

